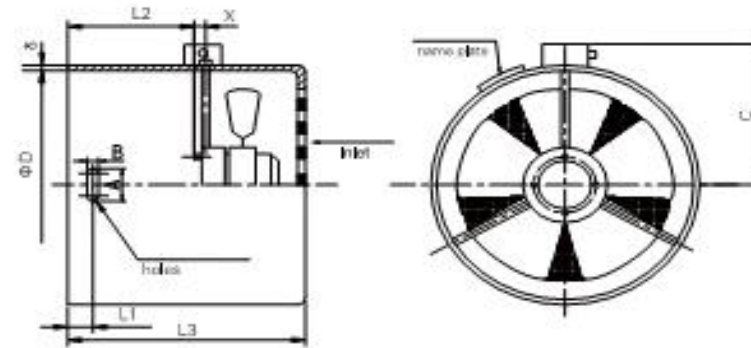




drawing 4



Overall & installation dimensions As drawing 4 and form 4

TYPE	$\phi D$	L1	X1	WITHOUT LENGTH OF EXTENDED SHAFT		INCLUDING LENGTH OF EXTENDED SHAFT		$\delta$	A	B	n	C
				L2	L3	L2	L3					
G-56D	110+10	8±1	7	35	121	67	154	1.2	7	5	4	110
G-63D	121+10	8±1	7	35	125	67	157	1.2	7	5	4	115
G-71D	138+10	13±1	7	45	135	77	167	1.2	10	6	4	120
G-80D	154+10	16.5±1	7	50	140	93	183	1.5	10	6	4	130
G-90D	173+10	17±1	7	55	147	100	192	1.5	10	6	4	140
G-100D	196+10	19±1	10	55	155	98	198	1.5	12	7	4	151
G-112D	219+10	18.5±1	10	60	160	103	203	1.5	12	7	4	163
G-132D	256+10	18.5±1	10	60	167	122	229	1.5	12	7	4	182
G-160D	311+10	22±1	10	92	210	154	271	2	12	7	4	210